



GFP400

1000V GIGAFUSE™

High Voltage Battery Disconnect with Passive Function

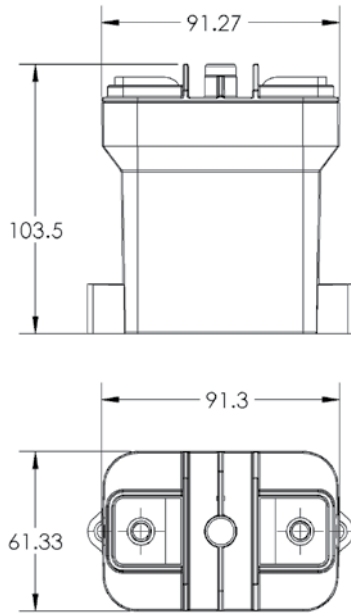


SPECIFICATIONS

Specifications	Units	Data
Rated Voltage	V	1000
Continuous Current Rating (4/0 busbars) at 85C	Amps	400
Max Interrupt Current at 1000V and 27μH	Amps	10,000
Max Interrupt Current at 500V and 27μH	Amps	20,000
Typical Resistance Before Opening	mΩ	.15
Max Clear Time (all current levels)	mS	3
Operating Temperature	C	-40 - +85
Storage Temperature	C	-40 - +125
Vibe: Sinusoidal (500-2000Hz Pk)	G's	30
Shock:1/2SINE, 11mS, Operating	G's	70
Shock:1/2SINE, 11mS, Storage and Handling	G's	125
Self-Triggering Current Tolerance	Amps	+0/- 400
Insulation Resistance After Interrupt (1000VDC)	MΩ	≥1



DIMENSIONS



ORDERING OPTIONS

GFP410A				
Giga	G			
Fuse		F		
Passive			P	
Continuous Current Carry				4 = 400A
Trip Current				10 = 1000A 15 = 1500A 20 = 2000A 25 = 2500A
Housing				A = Upright (Vertical) Mount B = Side Mount

Sensata Technologies, Inc. ("Sensata") data sheets are solely intended to assist designers ("Buyers") who are developing systems that incorporate Sensata products (also referred to herein as "components"). Buyer understands and agrees that Buyer remains responsible for using its independent analysis, valuation, and judgment in designing Buyer's systems and products. Sensata data sheets have been created using standard laboratory conditions and engineering practices. Sensata has not conducted any testing other than that specifically described in the published documentation for a particular data sheet. Sensata may make corrections, enhancements, improvements, and other changes to its data sheets or components without notice.

Buyers are authorized to use Sensata data sheets with the Sensata component(s) identified in each particular data sheet. HOWEVER, NO OTHER LICENSE, EXPRESS OR IMPLIED, BY ESTOPPEL OTHERWISE TO ANY OTHER SENSATA INTELLECTUAL PROPERTY RIGHT, AND NO LICENSE TO ANY THIRD PARTY TECHNOLOGY OR INTELLECTUAL PROPERTY RIGHT, IS GRANTED HEREIN. SENSATA DATA SHEETS ARE PROVIDED "AS IS". SENSATA MAKES NO WARRANTIES OR REPRESENTATIONS WITH REGARD TO THE DATA SHEETS OR USE OF THE DATA SHEETS, EXPRESS, IMPLIED, OR STATUTORY, INCLUDING ACCURACY OR COMPLETENESS. SENSATA DISCLAIMS ANY WARRANTY OF TITLE AND ANY IMPLIED WARRANTIES OF MERCHANTABILITY, FITNESS FOR A PARTICULAR PURPOSE, QUIET ENJOYMENT, QUIET POSSESSION, AND NON-INFRINGEMENT OF ANY THIRD PARTY INTELLECTUAL PROPERTY RIGHTS WITH REGARD TO SENSATA DATA SHEETS OR USE THEREOF.

All products are sold subject to Sensata's terms and conditions of sale supplied at www.sensata.com SENSATA ASSUMES NO LIABILITY FOR APPLICATIONS ASSISTANCE OR THE DESIGN OF BUYERS' PRODUCTS. BUYER ACKNOWLEDGES AND AGREES THAT IT IS SOLELY RESPONSIBLE FOR COMPLIANCE WITH ALL LEGAL, REGULATORY, AND SAFETY-RELATED REQUIREMENTS CONCERNING ITS PRODUCTS, AND ANY USE OF SENSATA COMPONENTS IN ITS APPLICATIONS, NOTWITHSTANDING ANY APPLICATIONS-RELATED INFORMATION OR SUPPORT THAT MAY BE PROVIDED BY SENSATA.

Mailing Address: Sensata Technologies, Inc., 529 Pleasant Street, Attleboro, MA 02703, USA

Americas

Sensata GIGAVAC
 Contactor Center of Excellence
 6382 Rose Lane
 Carpinteria, CA 93013
 USA

Tel: +1 (805) 684 8401
 Email: gigavac@sensata.com
 Sensata Global Headquarters
 Sensata Technologies
 529 Pleasant Street
 Attleboro, MA 02703
 USA

Europe, Middle East & Africa

Sensata Technologies Holland B.V.
 Jan Tinbergenstraat 80
 7559 SP Hengelo
 The Netherlands
 Tel: +31743578000
 Email: gigavac-info-eu@list.sensata.com

Asia Pacific

China
 Sensata Technologies China Co., Ltd.
 6382 Rose Lane
 BM Intercontinental Business Center
 30th Floor
 100 Yu Tong Road
 Shanghai 200070
 People's Republic of China
 Tel: +8621 2306 1500
 Email: contactorasia@list.sensata.com

Japan
 Sensata Technologies Japan Ltd.
 Shin Yokohama Square Bldg. 7F
 2-3- 12 Shin-yokohama
 Kohoku-ku, Yokohama-shi,
 Kanagawa 222-0033
 Tel: +81 45 277 7001
 Email: contactorasia@list.sensata.com