

FEATURES

- > Possibly the smallest 70kV relay in the universe
- > Flying wire leads provide easy power connection
- > Mounting options in any axis
- > Gas dielectric is superior for make load applications *



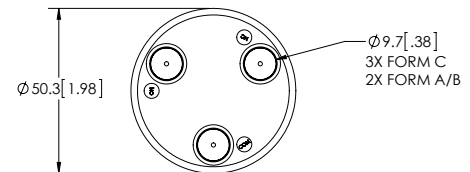
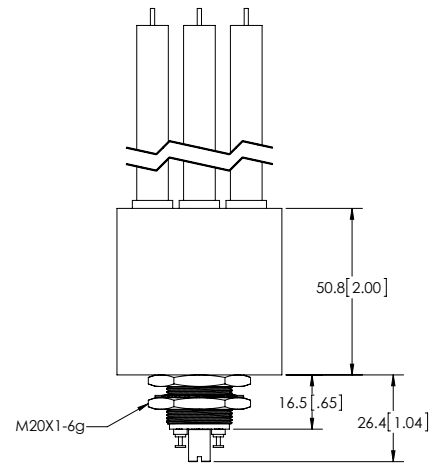
PRODUCT SPECIFICATIONS

Contact & Relay Ratings	Units	G71B
Contact Form		B
Contact Arrangement		SPST-NC
Contact Material (moveable/stationary)		molybdenum /tungsten
Dielectric		Inert Gas
Voltage, Test Max., Contacts & to Base (15 µA Leakage Max.) dc	kV dc	75
Voltage, Operating Max., Contacts & to Base (15 µA Leakage Max.)		
dc	kV dc	70
60 Hz RMS	kV Peak	30
Current, Load Switching		Contact factory *
Current, Continuous Carry Max dc or 60 Hz	Amps	10
Coil Hi-Pot (V RMS, 60 Hz)	V	500
Resistance, Contact Max @ 1A, 28 Vdc	ohms	2.0
Operate Time	ms	20
Release Time	ms	15
Life, Mechanical	cycles	500,000
Weight, Nominal	g (oz)	336 (12)
Vibration, Operating, Sine (55-500 Hz Peak)	G's	10
Shock, Operating, 1/2 Sine 11ms (Peak)	G's	20
Temperature Ambient Operating	°C	-50 to +85

* Consult factory for load switching applications.

COIL RATINGS

Nominal, Volts dc	12	26.5	115
Pick-up, Volts dc, Max.	9	22	90
Drop-Out, Volts dc	.5 - 5	1 - 10	5 - 50
Coil Resistance (Ohms ±10%)	18	75	1300



PART NUMBER SYSTEM

G71B	7	4	1
Coil Voltage	7 = 12 Vdc, Turret Terminal 8 = 26.5 Vdc, Turret Terminal 9 = 115 Vdc, Turret Terminal		
High Voltage Connections		4 = Flying Leads, 12" 7 = Flying Leads, 72" 8 = Flying Leads, 36"	
Mounting			1 = Threaded

Ratings listed are for 25°C, sea level conditions