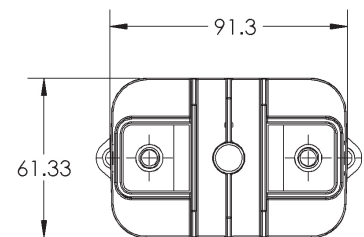
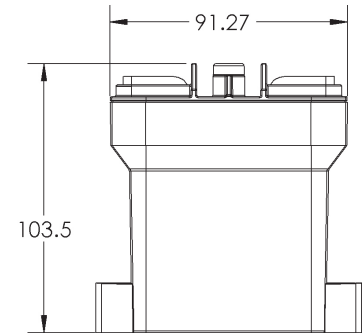


## High Voltage Battery Disconnect with Passive Function



### PRODUCT SPECIFICATIONS

Specifications	Units	Data
Rated Voltage	Volts	1000
Continuous Current Rating (4/0 busbars) at 85C	Amps	400
Max Interrupt Current at 1000V and 27μH	Amps	10,000
Max Interrupt Current at 500V and 27μH	Amps	20,000
Typical Resistance Before Opening	mΩ	.15
Max Clear Time (all current levels)	mS	3
Operating Temperature	C	-40 - +85
Storage Temperature	C	-40 - +125
Vibe: Sinusoidal (500-2000Hz Pk)	G's	30
Shock:1/2SINE, 11mS, Operating	G's	70
Shock:1/2SINE, 11mS, Storage and Handling	G's	125
Self-Triggering Current Tolerance	Amps	+0/- 400
Insulation Resistance After Interrupt (1000VDC)	MΩ	≥1

### PART NUMBER SYSTEM

Part Number	Trip Current (Amps)
<b>GFP410</b>	1000
<b>GFP415</b>	1500
<b>GFP420</b>	2000
<b>GFP425</b>	2500