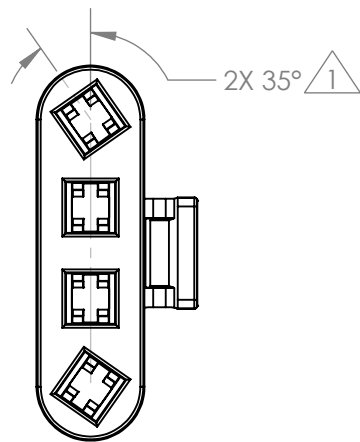
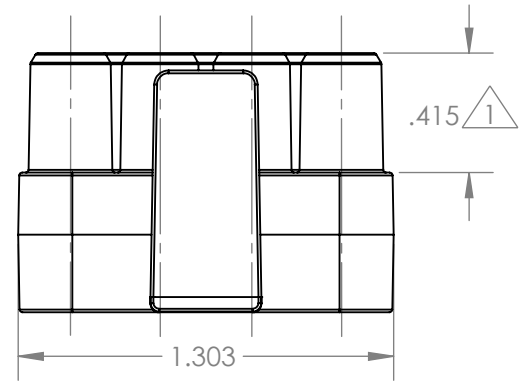
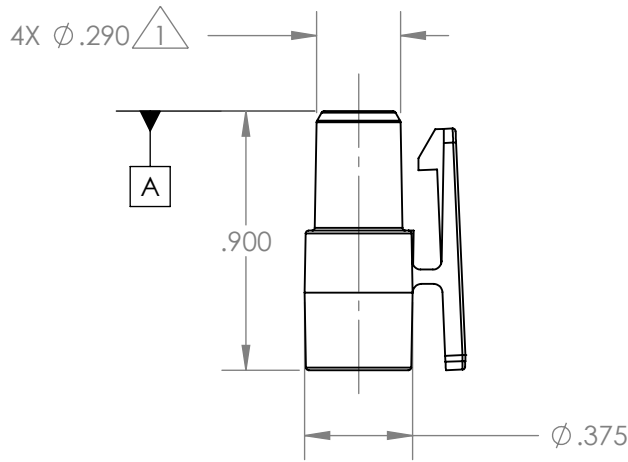
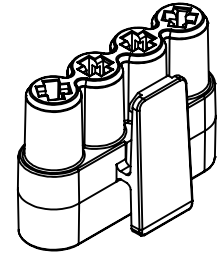
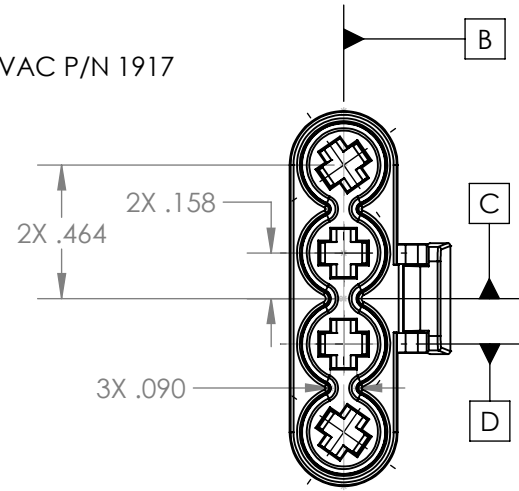


THE INFORMATION CONTAINED IN THIS DRAWING IS THE SOLE PROPERTY OF GIGAVAC LLC. ANY REPRODUCTION IN PART OR WHOLE WITHOUT THE WRITTEN PERMISSION OF GIGAVAC LLC IS PROHIBITED.


NOTES:

1. MATERIAL: PA 66
2. COLOR: BLACK
3. CRITICAL DIMENSION 
4. MUST POSITIVELY LOCK INTO GIGAVAC P/N 1917
5. ALL DIMENSIONS IN INCHES

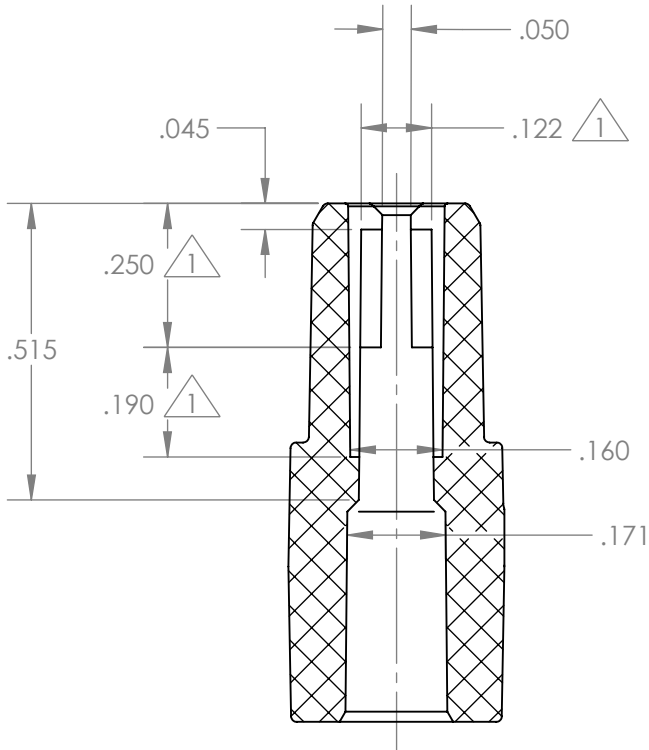
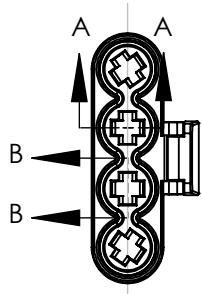
REVISIONS			
REV.	DESCRIPTION	DATE	APPROVED
1	ENGINEERING RELEASE	07/10/2017	T. WOLFGALE
2	DFM DRAFT REVISIONS OF CLIP	07/17/2017	T. WOLFGALE



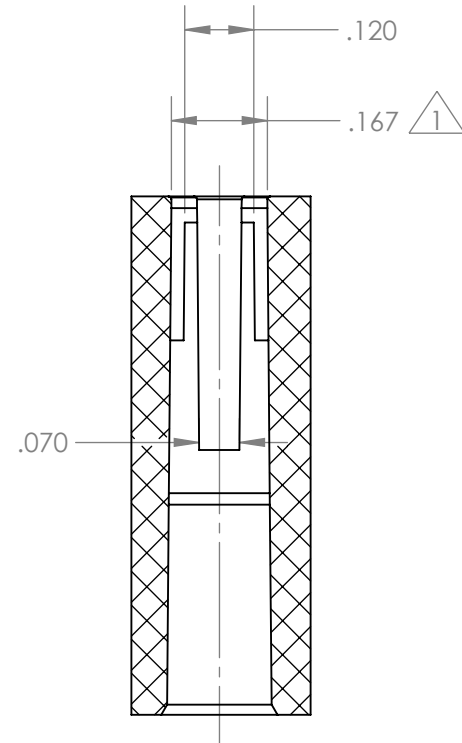
BOTTOM VIEW
SCALE 3:2

PARTS LIST			
UNLESS OTHERWISE SPECIFIED DIMENSIONS ARE IN INCHES		CAD GENERATED DRAWING, DO NOT MANUALLY UPDATE	
TOLERANCES ARE:		 6382 ROSE LANE, CARPINTERIA, CA www.gigavac.com	
.X ±.05	∠ ±.5°	Connector, Aux, GV350	
.XX ±.01	✓ SEE NOTES		
.XXX ±.005		APPROVALS	DATE
.XXXX ±.0005		DRAWN C. WATHNE	07/10/17
MATERIAL AND FINISH SEE NOTES		CHECKED	
DO NOT SCALE DRAWING		RESP ENG	
		SIZE DWG. NO. A 1910	REV 2
		SCALE N/A CAD FILE: 1910.SLDDRW	SHEET 1 OF 4

THE INFORMATION CONTAINED IN THIS DRAWING IS THE SOLE PROPERTY OF GIGAVAC LLC. ANY REPRODUCTION IN PART OR WHOLE WITHOUT THE WRITTEN PERMISSION OF GIGAVAC LLC IS PROHIBITED.



FOUR TIMES
SECTION A-A
SCALE 3 : 1



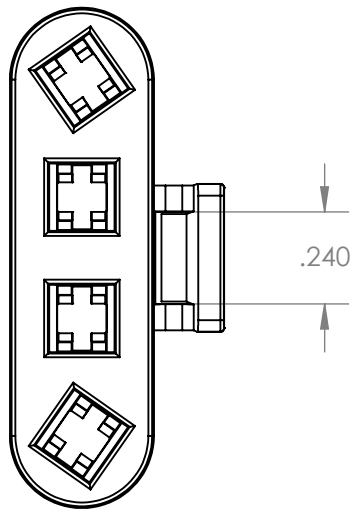
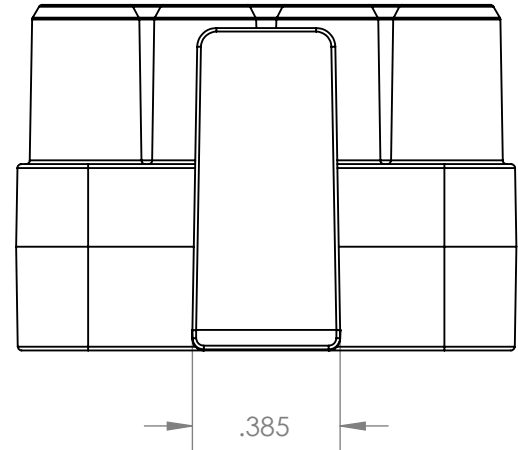
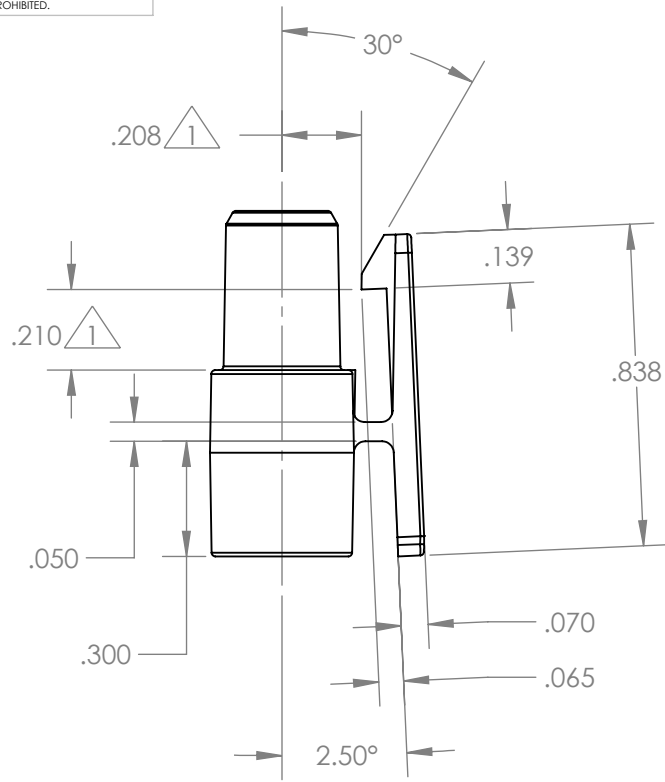
FOUR TIMES
SECTION B-B
SCALE 3 : 1

GIGAVAC™
6382 ROSE LANE, CARPINTERIA, CA
www.gigavac.com

Connector, Aux, GV350

SIZE	DWG. NO.	REV
A	1910	2
SCALE 3:1	CAD FILE: 1910.SLDDRW	SHEET 2 OF 4

THE INFORMATION CONTAINED IN THIS DRAWING IS THE SOLE PROPERTY OF GIGAVAC LLC. ANY REPRODUCTION IN PART OR WHOLE WITHOUT THE WRITTEN PERMISSION OF GIGAVAC LLC IS PROHIBITED.

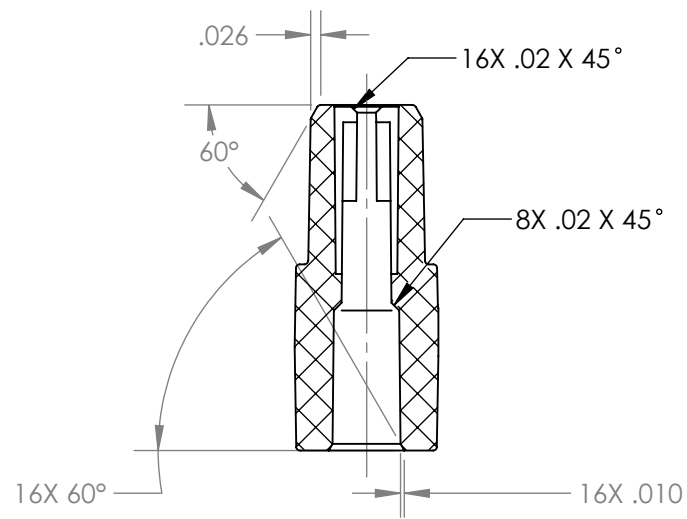
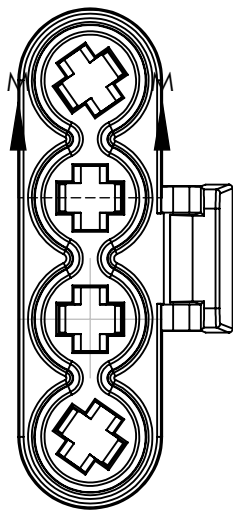


GIGAVAC™
6382 ROSE LANE, CARPINTERIA, CA
www.gigavac.com

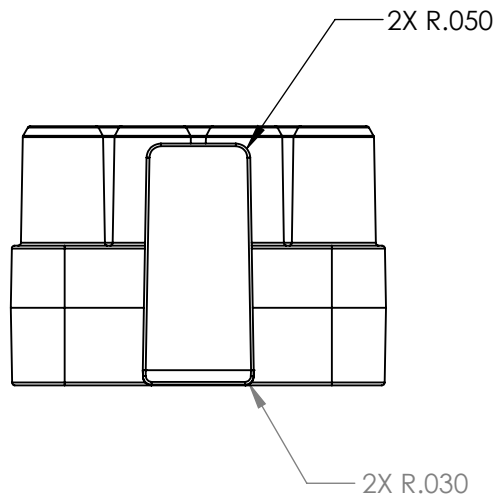
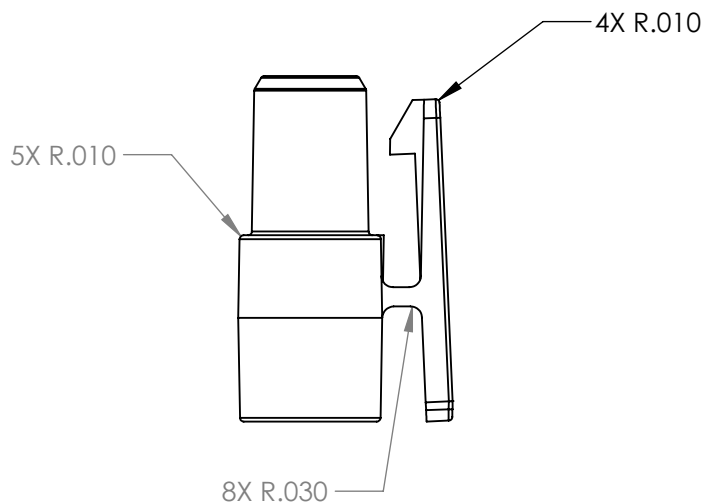
Connector, Aux, GV350

SIZE	DWG. NO.	REV
A	1910	2
SCALE 2:1	CAD FILE: 1910.SLDDRW	SHEET 3 OF 4

THE INFORMATION CONTAINED IN THIS DRAWING IS THE SOLE PROPERTY OF GIGAVAC LLC. ANY REPRODUCTION IN PART OR WHOLE WITHOUT THE WRITTEN PERMISSION OF GIGAVAC LLC IS PROHIBITED.



SECTION M-M



GIGAVAC™ 6382 ROSE LANE, CARPINTERIA, CA www.gigavac.com		
Connector, Aux, GV350		
SIZE A	DWG. NO. 1910	REV 2
SCALE N/A	CAD FILE: 1910.SLDDRW	SHEET 4 OF 4