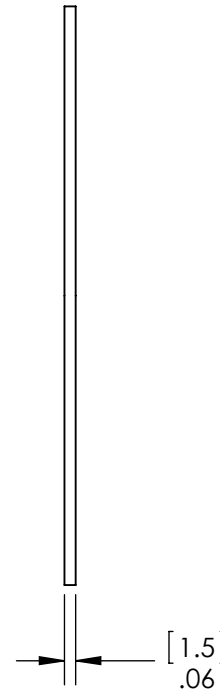
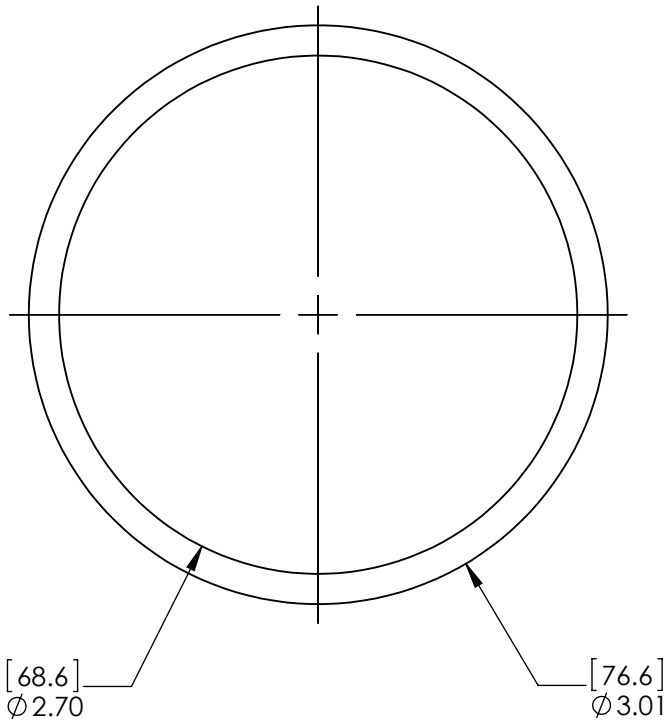


THE INFORMATION CONTAINED IN THIS DRAWING IS THE SOLE PROPERTY OF GIGAVAC LLC. ANY REPRODUCTION IN PART OR WHOLE WITHOUT THE WRITTEN PERMISSION OF GIGAVAC LLC IS PROHIBITED.

REVISIONS			
REV.	DESCRIPTION	DATE	APPROVED
1	ENGINEERING RELEASE	12/21/2016	R.ULRICH
2	UPDATE INCORRECT DIMENSIONS	1/19/2017	R.ULRICH

NOTES:

1. STATE INDUSTRIES PN TBD
2. MATERIAL: POLYURETHANE, DUROMETER 40A
3. COLOR: BLACK



PARTS LIST			
UNLESS OTHERWISE SPECIFIED DIMENSIONS ARE IN INCHES		CAD GENERATED DRAWING, DO NOT MANUALLY UPDATE	
TOLERANCES ARE:		 6382 ROSE LANE, CARPINTERIA, CA www.gigavac.com	
.X ±.05	∠ ±.5°	APPROVALS	DATE
.XX ±.01	✓ SEE NOTES	DRAWN	12/21/16
.XXX ±.005		CHECKED	
.XXXX ±.0005		RESP ENG	
MATERIAL AND FINISH SEE NOTES		Seal, Battery Disconnect	
DO NOT SCALE DRAWING		SIZE DWG. NO.	REV
		A 1827	2
		SCALE N/A	CAD FILE: 1827.SLDDRW
		SHEET 1 OF 1	