

FEATURES

- > Compact design saves precious space while isolating 35kV
- > Flying leads provide versatile high voltage connections
- > Excellent for capacitive discharge and safety dump switch applications
- > Effectively bounce free operation

PRODUCT SPECIFICATIONS

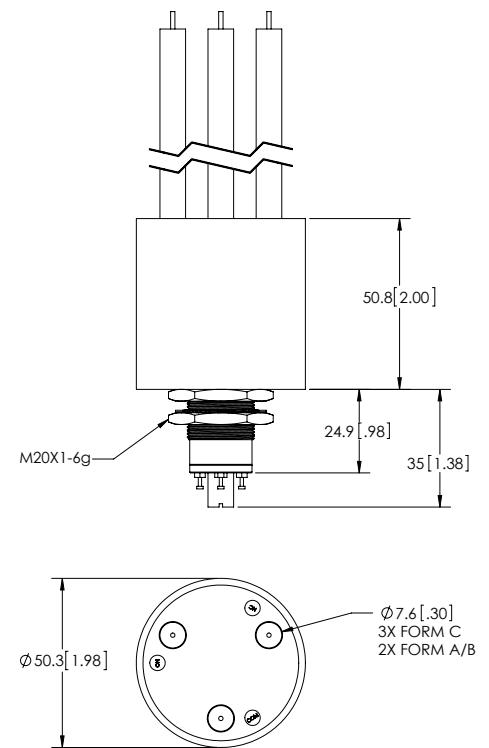
Contact & Relay Ratings	Units	G61LC
Contact Form		C - latch
Contact Arrangement		SPDT
Contact Material (moveable/stationary)		molybdenum /tungsten
Dielectric		Inert Gas
Voltage, Test Max., Contacts & to Base (15 µA Leakage Max., dc or 60Hz)	kV Peak	40
Voltage, Operating Max., Contacts & to Base (15 µA Leakage Max.)		
dc	kV Peak	35
60 Hz RMS	kV Peak	30
Current, Continuous Carry Max		
dc or 60 Hz	Amps	10**
Coil Hi-Pot (V RMS, 60 Hz)	V	500
Resistance, Contact Max @ 1A, 28 Vdc	ohms	1.0
Latch Time	ms	15
Reset Time	ms	15
Life, Mechanical	cycles	1 million
Weight, Nominal	g (oz)	336 (12)
Vibration, Operating, Sine (55-500 Hz Peak)	G's	10
Shock, Operating, 1/2 Sine 11ms (Peak)	G's	20
Temperature Ambient Operating	°C	-55 to +85

COIL RATINGS

Nominal, Volts dc	26.5
Pick-up, Volts dc, Max.	18
Drop-Out, Volts dc	1 - 10
Coil Resistance (Ohms ±10%)	

* Order the relay with the part number as shown. The latching "L" designator and the coil voltage will not appear in the P/N on the relay but will be indicated on the label that is on the base of the relay. Observe coil polarity.

** Consult factory for load switching applications.



PART NUMBER SYSTEM

G61LC	8	4	1
Coil Voltage*	8 = 26.5 Vdc, Turret Terminal		
High Voltage Connections		4 = Flying Leads, 12" 7 = Flying Leads, 72" 8 = Flying Leads, 36"	
Mounting			1 = Threaded

Ratings listed are for 25°C, sea level conditions