

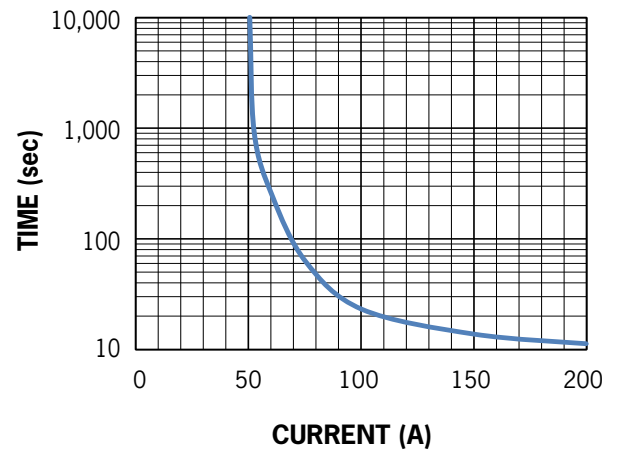
## FEATURES

- > UL508 Recognized and load break rated for 1000vdc systems
- > Hermetically sealed contactor: ensures make/break switching up to 1200Vdc
- > Best option for: NEC 690.11 and 690.12 DC arc fault interrupting and rapid shutdown requirements
- > Small, lightweight and cost effective patented design
- > Perfect choice for 600Vdc and 1000Vdc photovoltaic/battery systems

## PRODUCT SPECIFICATIONS

Specifications	Units	Data
Contact Arrangement	Form X	SPST-NO
Dielectric at Sea Level	Vrms	4300
Contact Voltage, Operating Max	Vdc	1500
Continuous Current Carry, Max (8 AWG)	A	50
Electrical Life (Resistive Load) Make and Break, 20A @ 1000Vdc	Cycles	6000
Mechanical Life	Cycles	1,000,000
Contact Voltage Drop, Max @ 50A	mV	100
Contact Resistance @ 50A	mOhms	2
Operate Time, Max	ms	25
Release Time, Max	ms	8
Vibration, Sinusoidal (50-200Hz Peak)	G	5
Shock, Operating, 1/2 Sine, 11ms	G	20
Temperature, Operating Range <sup>1/</sup>	°C	-40 to +65
Humidity, No Freezing or Condensing at Low Temperature	RH	5% to 85%
Weight	grams	100

## CURRENT CARRY RATINGS



## COIL RATINGS @ 25°C <sup>2/</sup>

Coil P/N Designation	B	C	F
Coil Voltage, Nominal	12 Vdc	24 Vdc	48 Vdc
Coil Voltage, Max	16 Vdc	32 Vdc	64 Vdc
Pick-up Voltage, Max	7.5 Vdc	15 Vdc	30 Vdc
Drop Out Voltage, Max	5 Vdc	9 Vdc	18 Vdc
Drop Out Voltage, Min	0.20 Vdc	0.40 Vdc	0.80 Vdc
Coil Resistance, +/-10%	70 Ohms	280 Ohms	1092 Ohms
Coil Current at Nominal Voltage	0.170 A	0.085 A	0.045 A
Recommended External Coil Suppression	24 Vdc	48 Vdc	96 Vdc



## DIMENSIONS

### Mounting

M4 or 8-32 Screws  
Torque 1.3-1.7Nm [12-15in-lb]

### Case Material

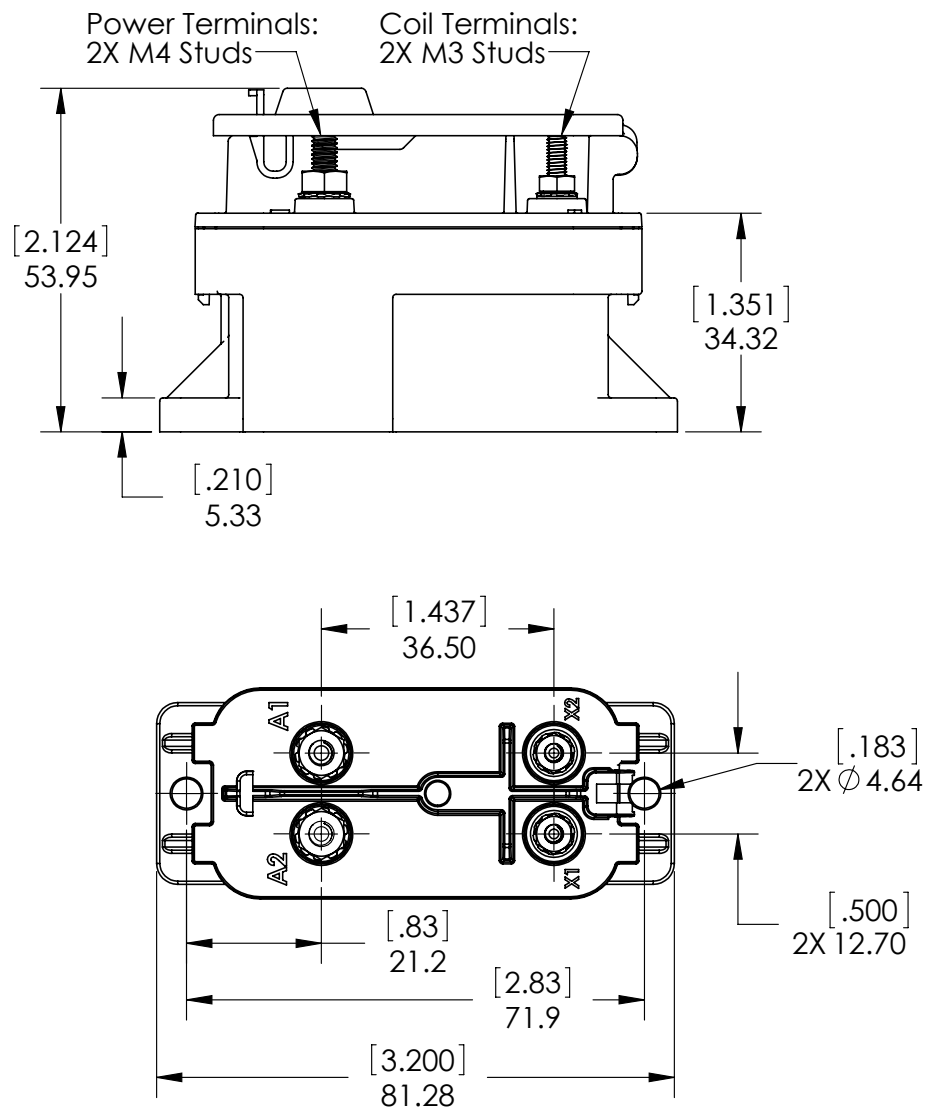
Thermoplastic Polyester Resin

### Power Connection

M4 Studs  
Torque 1.3Nm [12in-lb] max

### Coil Termination

M3 Studs  
Torque 0.5Nm [5in-lb] max



## PART NUMBER SYSTEM

P115	B	D	A
Coil Voltage	B=12 Vdc		
	C=24 Vdc		
	F=48 Vdc		
Coil Terminals		D=Studs, M3	
Power Terminals			A=Studs, M4

### Notes & Definitions:

**1/** Temperature range refers to ambient conditions. Terminal temperature can exceed listed values.

**2/** Contactor is operated by a coil that changes resistance with temperature. Since pick-up current, coil current and coil power are specified at nominal voltage, they will be lower than indicated at temperatures above 25°C and higher than indicated at temperatures below 25°C. Similarly, pick-up and drop-out voltages will be higher than indicated at temperatures above 25°C and lower than indicated at temperatures below 25°C.

## APPLICATION NOTES

Electrical life rating is based on resistive load with 27 $\mu$ H maximum inductance in circuit. Because your application may be different, we suggest you test the contactor in your circuit to verify life is as required.

Contactor is bi-directional and therefore can carry, make, and break current in both directions.

Contactor is not sensitive to direction of installation and can be mounted in any position or axis.