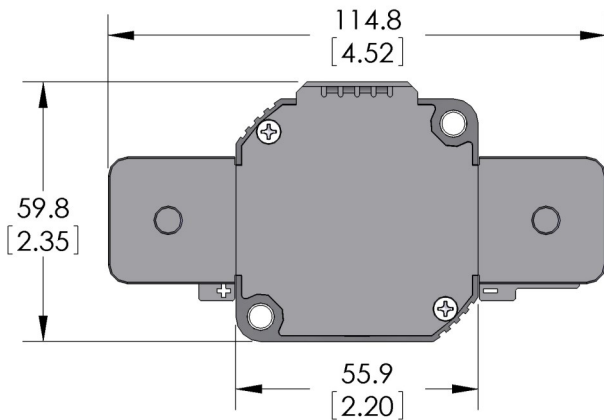
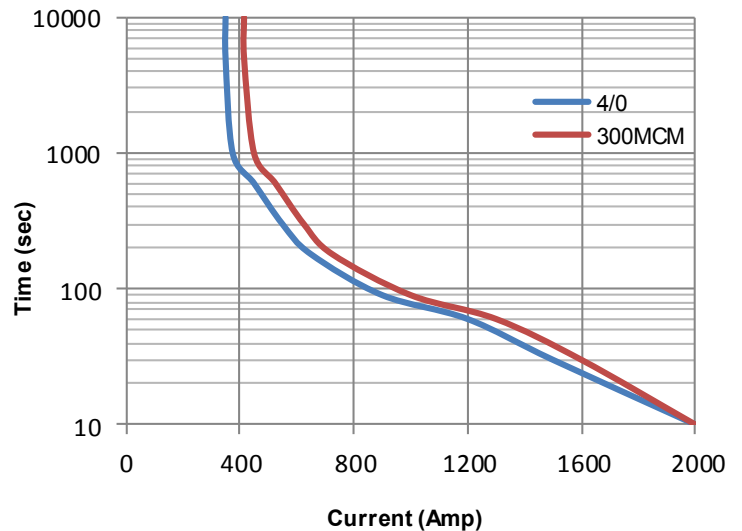


Key Features

| | |
|---------------------------------|---|
| EPIC® Seal | Ceramic to metal braze. Gas filled hermetic chamber protects key components. Exceeds IP69K standard |
| Temperature | Tested to temperatures up to 200°C |
| Contacts / Form | Silver / SPST / NC |
| Coil | Efficient two coil design with no PWM or EMI emissions. Coil suppression built in |
| High Shock and Vibration | For rugged environments, off-road and tracked vehicles |
| Installation | Not direction sensitive |
| Made in USA | Designed and manufactured in the USA |
| Reference | MIL-R-6106, RoHS |



Current Carry vs Time with 85°C terminal temperature rise



Power Terminals

Stainless M10 X 1.5 Bolt
Stainless M10 X 1.5 Nut
Stainless Lock Washer
Stainless Flat Washer
Torque 14-20 Nm [125-175 in-lb]

Mounting Hardware

M5 [No. 10] Bolts (not incl.)
Torque 2-4 Nm [18-35 in-lb]

| Technical Specification | |
|-----------------------------|---------------------------------------|
| Continuous Current | 400A w/ 300MCM (see graph on reverse) |
| Max Current—1 sec | 3000A |
| Max Current—10 sec | 2000A |
| Max Current—90 sec | 1000A |
| Contact Voltage Drop (max) | 150mV at 400A |
| Insulation Resistance (min) | 100MΩ (50MΩ after life) |
| Dielectric Withstanding | 1500VRMS (1050 VRMS after life) |
| Operate Time (max) | 20 msec (include bounce) |
| Release Time (max) | 12 msec |
| Weight | 1.1 lb with hardware (500 grams) |

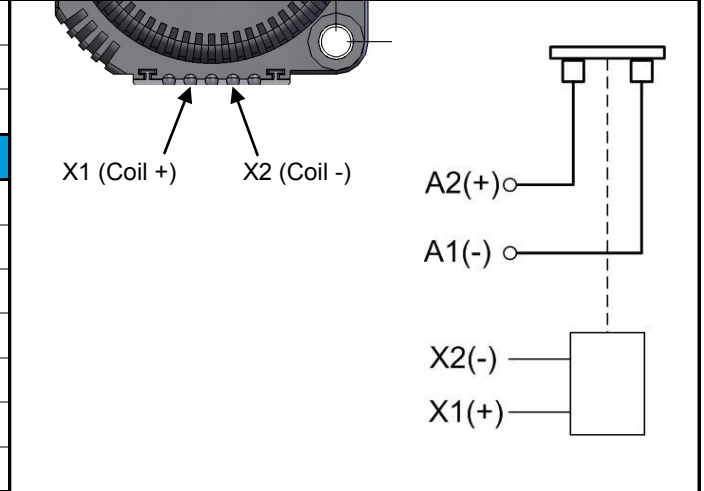
MXNC14

Coil Voltage:
B = 12V
C = 24V
F = 48V

Coil Wire:
A = 38 cm (15 in)
B = 61 cm (24 in)
C = 122 cm (48 in)

| Resistive Load Switching | |
|--------------------------|----------------|
| 400A at 24 VDC | 100,000 cycles |
| Mechanical Life | 300,000 cycles |
| Fault Interrupt @ 28VDC | 3000A |

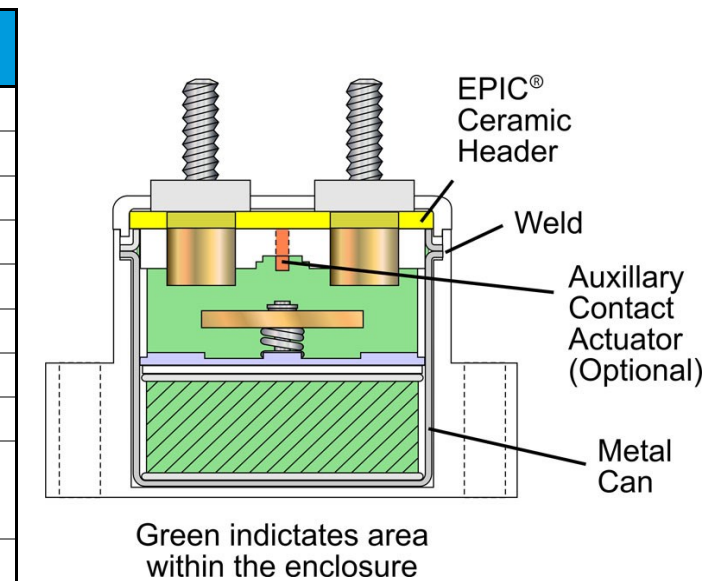
Power Circuit and Installation



| Environmental Specifications | |
|--|---|
| Seal | Hermetic, 10 E-9 atm cc/sec |
| Temperature Range | -55°C to +100°C |
| Shock | Sawtooth @ 20G, 11ms, ½ Sine @ 25G, 11ms |
| Vibration | 10-2000 Hz, 20G |
| Water / Steam | 2750 psi waterjet, 105 psi steam, boiling water |
| Salt Spray Corrosion | MIL-STD-810G |
| Resistant to corrosion, chemicals, and fungal growth | |

Coil Data
 *Contact factory for additional coil voltages

| Coil Part # | B | C | F |
|--------------------------------------|--------------|---------------|-------------|
| Nominal Voltage | 12 VDC | 24 VDC | 48 VDC |
| Max Voltage | 16 VDC | 32 VDC | 60 VDC |
| Pickup Voltage (max) | 8 VDC | 16 VDC | 32 VDC |
| Dropout Voltage | 0.2 to 4 VDC | 0.5 to 10 VDC | 1 to 20 VDC |
| Pull-in Current (max 75ms) | 4.2 A | 1.6 A | 0.8 A |
| Coil Current (Amps) | 0.15 A | 0.07 A | 0.035 A |
| Coil Power (Watts) | 1.8 W | 1.68 W | 1.68 W |
| Internal Coil Suppression (Transorb) | | | |
| Coil Back EMF | 55 V | | 125 V |



Options and Accessories

| | |
|--|--|
| | |
| | |

GIGAVAC®

P.O. Box 4428
 Santa Barbara, CA 93140

www.gigavac.com info@gigavac.com +805-684-8401

Rev 4 9/2/14 © 2013 GIGAVAC, LLC Page 2 of 2 **MXNC14**