

## FEATURES

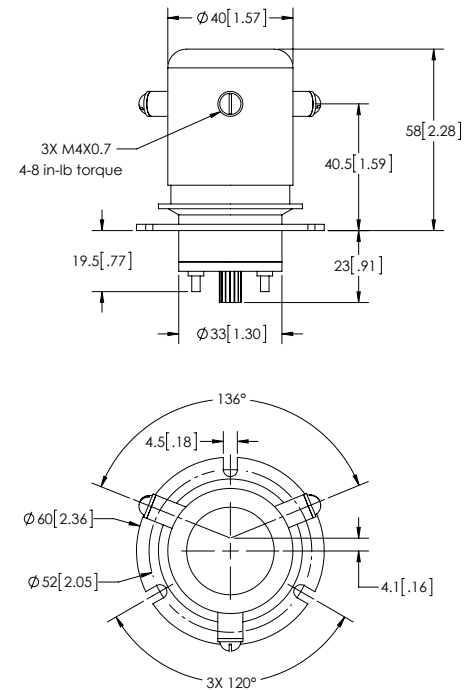
- > Durable tungsten contacts improve load switching capability\*\*
- > Excellent choice for high power RF or DC applications
- > Mounting options in any axis
- > Convenient threaded HV connections



## PRODUCT SPECIFICATIONS

Contact & Relay Ratings	Units	G9
<b>Contact Form</b>		C
<b>Contact Arrangement</b>		SPDT
Contact Material (moveable/stationary)		molybdenum /tungsten
Dielectric		Vacuum
<b>Voltage, Test Max., Contacts &amp; to Base (15 µA Leakage Max.)</b> dc or 60Hz	kV Peak	20
<b>Voltage, Operating Max., Contacts &amp; to Base (15 µA Leakage Max.)</b>		
dc or 60 Hz	kV Peak	15
2.5 MHz	kV Peak	13
16 MHz	kV Peak	10
32 MHz	kV Peak	8
<b>Current, Load Switching</b>		Contact factory**
<b>Current, Continuous Carry Max</b>		
dc or 60 Hz	Amps	75
2.5 MHz	Amps	35
16 MHz	Amps	22
32 MHz	Amps	17
<b>Coil Hi-Pot (V RMS, 60 Hz)</b>	V	500
<b>Capacitance</b>		
Across Open Contacts	pF	.05
Contacts to Ground	pF	3.5
<b>Resistance, Contact Max @ 1A, 28 Vdc</b>	ohms	0.010
<b>Operate Time</b>	ms	30
<b>Release Time</b>	ms	8
<b>Life, Mechanical</b>	cycles	1 million
<b>Weight, Nominal</b>	g (oz)	300 (11)
<b>Vibration, Operating, Sine (55-500 Hz Peak)</b>	G's	10
<b>Shock, Operating, 1/2 Sine 11ms (Peak)</b>	G's	50
<b>Temperature Ambient Operating</b>	°C	-55 to +125

\*\* Consult factory for load switching applications.



## COIL RATINGS

Nominal, Volts dc	12	26.5
Pick-up, Volts dc, Max.	8	16
Drop-Out, Volts dc	.5 - 5	1 - 10
Coil Resistance (Ohms $\pm 10\%$ )	48	190

## PART NUMBER SYSTEM

G9	S	F	
<b>High Voltage/Power Terminal Connections</b>	W = Screw		
<b>Mounting</b>		F = Flange	
<b>Coil Voltage *</b>			Blank = 26.5 Vdc -12Vdc = 12Vdc

\* Order the relay with the coil voltage in the part number as shown above. The coil voltage will appear on the coil plate near the coil terminals rather than in the P/N on the relay.