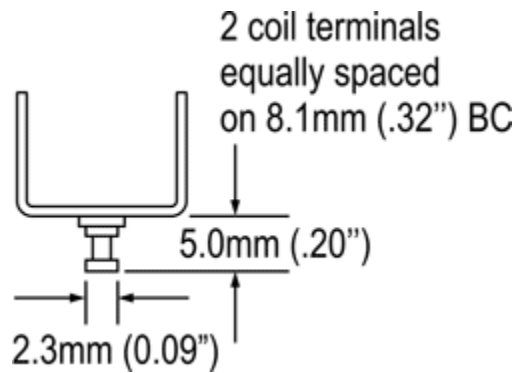


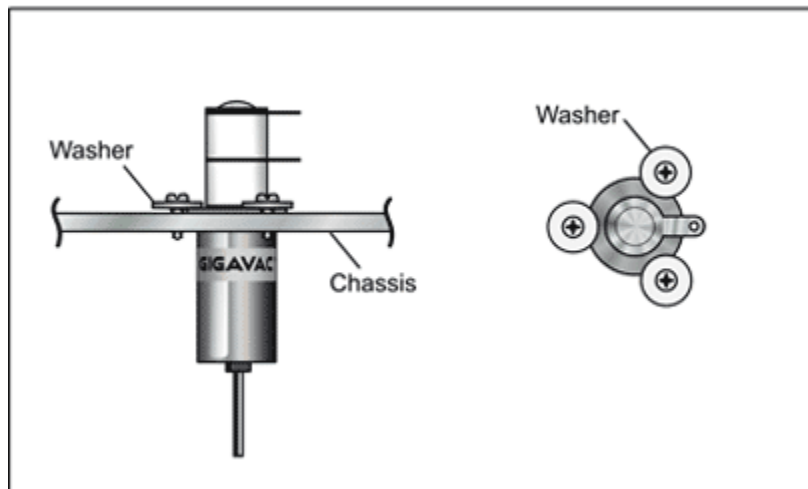
HIGH VOLTAGE RELAY & CONTACTOR APPLICATIONS

HIGH VOLTAGE STACKED CERAMIC RELAY MOUNTING & COIL TERMINAL OPTIONS

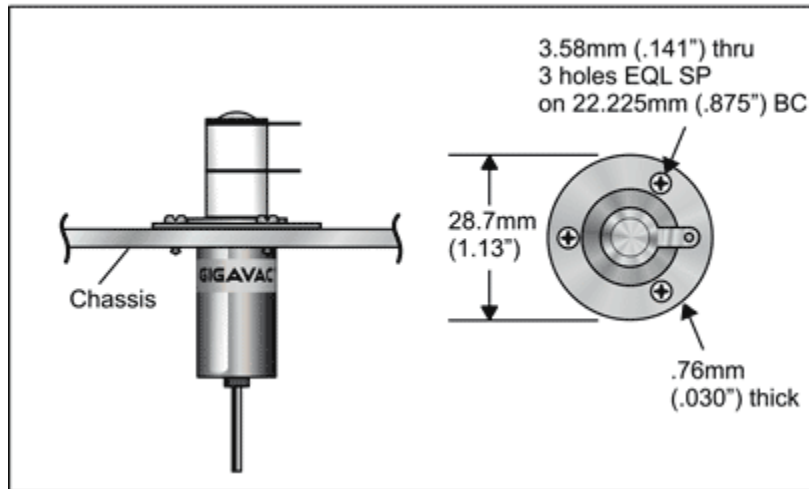
The GIGAVAC stacked ceramic G4X style relays are not position sensitive and can be mounted in a variety of ways. The following provides specifications for the optional turret coil terminals, the type 2 flange mounting, and examples for mounting the GIGAVAC stacked ceramic relays.



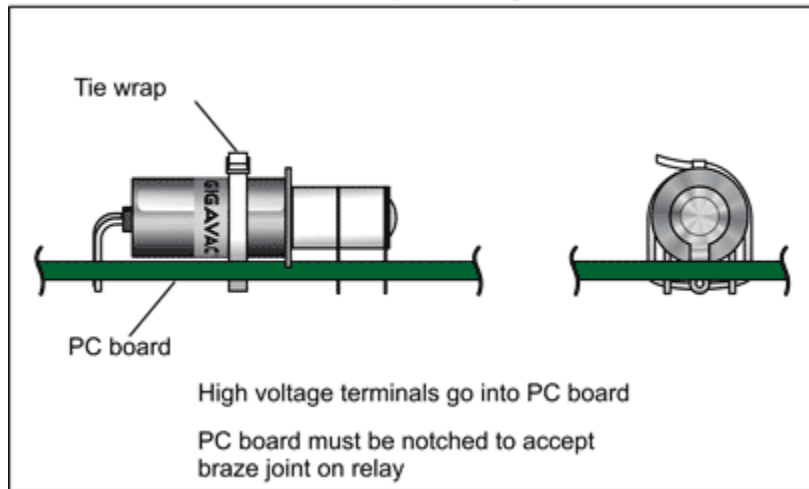
Type "4" Standard Mounting



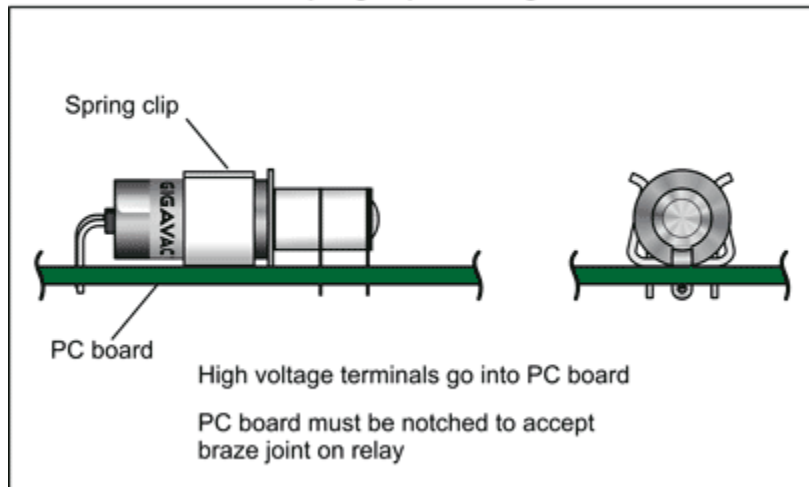
Type "2" Flange Mounting



Tie Wrap Mounting



Spring Clip Mounting



Spring clip shown is just one example of the use of a spring clip. A variety of spring clips are available from manufacturers that belong to the Precision Metal Forming Association found at www.metalfforming.com. One company

we found, but give no endorsement to, is Seastrom Manufacturing found at www.seastrom-mfg.com.

01/07/11



GIGAVAC® - P.O. Box 4428 - Santa Barbara, CA 93140-4428 - ph +(805) 684-8401 - +(805) 755-2000
fx +(805) 684-8402 - info@gigavac.com - www.gigavac.com - ©Copyright 2003-2011 GIGAVAC, LLC.