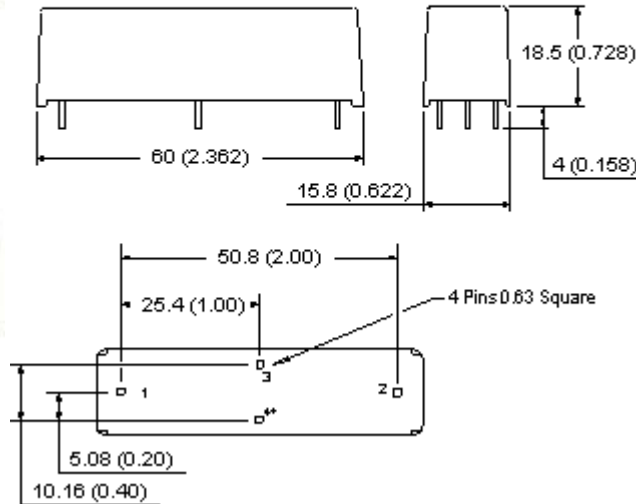
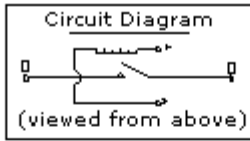


GR5LTA - GR5LTB

10 kV

Make & Break Load Switching
RoHS Compliant, date code 0701 and later



FEATURES	
◆	Vacuum dielectric offers low stable contact resistance
◆	All PC pin or PC pin & flying lead connections provide mounting and connection versatility
◆	Durable tungsten coated contacts for hot load switching*
◆	Extremely long mechanical life of one billion operations
◆	Coil choices of 5, 12 or 24Vdc accommodate virtually any drive circuit

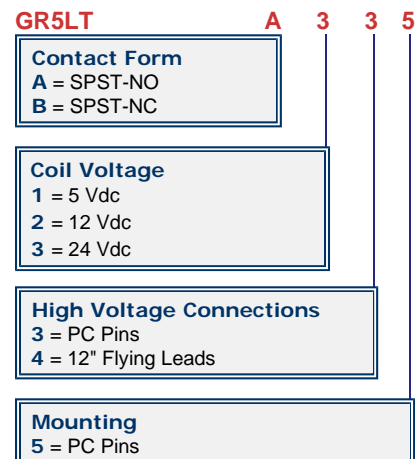
*See load chart on this page. Consult factory for loads not listed.

PRODUCT SPECIFICATIONS			
Contact & Relay Ratings	Units	GR5LTA	GR5LTB
Contact Form		A	B
Contact Arrangement		SPST-NO	SPST-NC
Load Switching		see chart below	see chart below
Voltage Ratings between Contacts	kV Peak	10	10
Current Carry @ DC	Amps	5	5
Contact Resistance	Ohms	0.250	0.250
Capacitance			
Across Open Contacts	pF	1	1
Closed Contacts to Ground	pF	8	8
Initial Insulation Resistance	GigaOhms	10	10
Operate Time	ms	2	2
Release Time	ms	2	2
Life, Mechanical	cycles	1 billion	1 billion
Weight, Nominal	g (oz)	28 (1)	28 (1)
Vibration, Operating, Sine(10-500 Hz Peak)	G's	20	20
Shock, Operating, 1/2 Sine 11ms (Peak)	G's	100	100
Temperature Range			
Operating	°C	-20 to +70	-20 to +70
Storage	°C	-35 to +110	-35 to +110

COIL RATINGS			
Nominal, Volts dc	5	12	24
Pick-up, Volts dc, Max.	4	10	21
Drop-Out, Volts dc	.5	2	4
Coil Resistance-GR5LTA (Ohms ±10%)	28	150	780
Coil Resistance-GR5LTB (Ohms ±10%)	38	240	925

For more information, refer to

Relay User Instructions



Load Switching		Life in cycles
Voltage	Current	
110 Vac	0.5 Amps	1,000,000
120 Vac	1.0 Amps	200,000
1000 Vac	200 mAmps	100,000
5000 Vac	83 mAmps	1,000