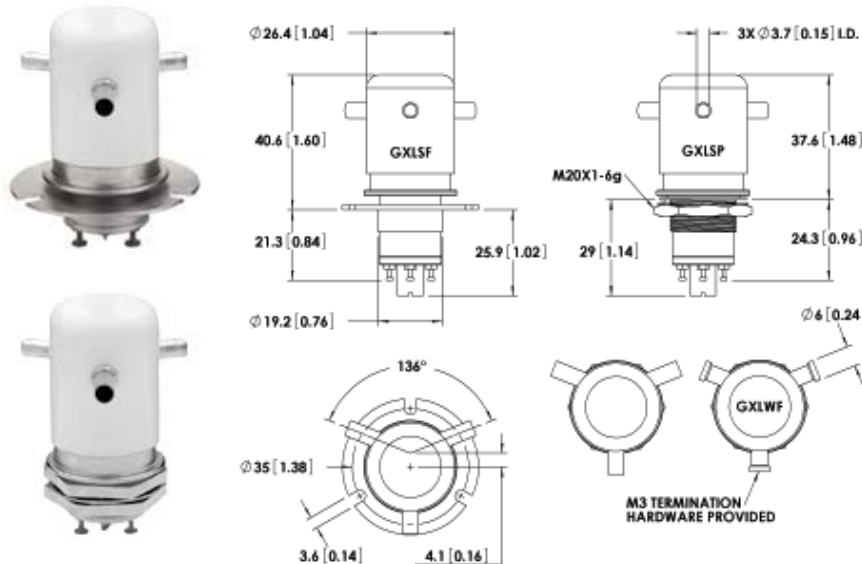


Make & Break Load Switching  
RoHS Compliant, date code 0701 and later



- | FEATURES   |
|--|
| • text   |
| • Durable tungsten contacts for hot load switching*                        |
| • Vacuum dielectric for effective arc quenching when opening under load*   |
| • Two mounting styles available, flange or through panel with jam nut.     |
| • Solder or threaded high voltage connections help make installation easy. |
| • User interchangeable coils provide for driver versatility.               |
| • Meets or exceeds standards set in MIL-R-83725.                           |
| *Consult factory for load switching applications.                          |

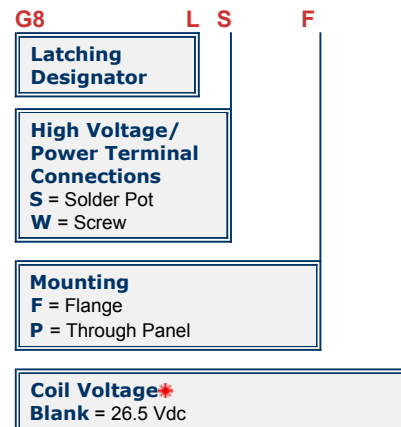
PRODUCT SPECIFICATIONS		
Contact & Relay Ratings	Units	G8L
Contact Form		C
Contact Arrangement		SPDT
Voltage, Test Max., Contacts & to Base (15 µA Leakage Max., dc or 60Hz)	kV Peak	17
Voltage, Operating Max., Contacts & to Base (15 µA Leakage Max.)		
dc or 60 Hz	kV Peak	15
2.5 MHz	kV Peak	12
16 MHz	kV Peak	9
32 MHz	kV Peak	7
Current, Continuous Carry Max		
dc or 60 Hz	Amps	30
2.5 MHz	Amps	18
16 MHz	Amps	10
32 MHz	Amps	6
Coil Hi-Pot (V RMS, 60 Hz)	V	500
Capacitance		
Across Open Contacts	pF	0.5
Contacts to Ground	pF	1
Resistance, Contact Max @ 1A, 28 Vdc	ohms	0.025
Operate Time	ms	15
Reset Time	ms	9
Life, Mechanical	cycles	1 million
Weight, Nominal	g (oz)	84 (3)
Vibration, Operating, Sine (55-500 Hz Peak)	G's	10
Shock, Operating, 1/2 Sine 11ms (Peak)	G's	50
Temperature Ambient Operating	°C	-55 to +125

COIL RATINGS	
Nominal, Volts dc	26.5
Pick-up, Volts dc, Max.	16
Reset, Volts dc	1 - 10
Coil Resistance (Ohms ±10%)	-

Ratings listed are for 25°C, sea level conditions.  
Coils are polarity sensitive.  
Observe polarity marked on coil terminals.

For more information, refer to

[Relay User Instructions](#)



\*Order the relay with the part number as shown. The latching "L" designator and the coil voltage will not appear in the P/N on the relay but will be indicated on the label that is on the base of the relay. Observe coil polarity.