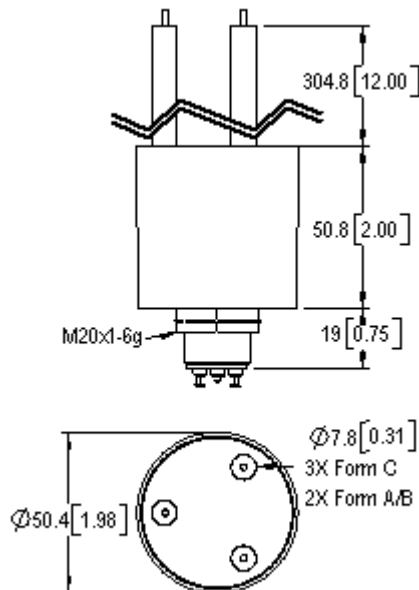


# G71A - G71B - G71C

# 70 kV

Make Only Load Switching



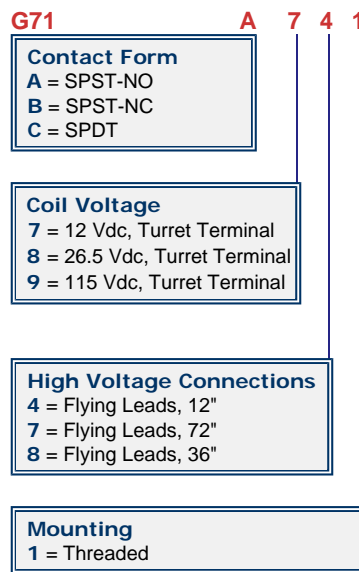
- | FEATURES               |   |
|------------------------|---|
| <b>G71A &amp; G71B</b> |   |
| ◆                      | Sealed 70 kV isolation in about 6.3 cubic inch (100 cubic cm) package - your will be system the smallest in the industry! |
| ◆                      | SF-6 gas filled for capacitive discharge with no x-ray emissions  |
| ◆                      | Pre-tinned, optional length, high voltage leads making installation easy fast and easy                                    |
| ◆                      | Great for charging & discharging capacitors with no bounce under load   |
| ◆                      | GIGAVAC exclusive replaceable coils   |
| <b>G71C</b>            |   |
| ◆                      | Same great features as the G71A and G71B  |
| ◆                      | Double Throw (SPDT) for polarity reversal and multiple power source switching   |

PRODUCT SPECIFICATIONS				
Contact & Relay Ratings	Units	G71A	G71B	G71C
Contact Form		A	B	C
Contact Arrangement		SPST-NO	SPST-NC	SPDT
Voltage, Test Max., Contacts & to Base (15 µA Leakage Max, dc or 60Hz)	kV Peak	75	75	75
Voltage, Operating Max., Contacts & to Base (15 µA Leakage Max.)				
dc	kV Peak	70	70	70
60 Hz RMS	kV Peak	30	30	30
2.5 MHz	kV Peak	-	-	-
16 MHz	kV Peak	-	-	-
32 MHz	kV Peak	-	-	-
Current, Continuous Carry Max				
dc or 60 Hz	Amps	10	10	10
2.5 MHz	Amps	-	-	-
16 MHz	Amps	-	-	-
32 MHz	Amps	-	-	-
Coil Hi-Pot (V RMS, 60 Hz)	V	500	500	500
Capacitance				
Across Open Contacts	pF	-	-	-
Contacts to Ground	pF	-	-	-
Resistance, Contact Max @ 1A, 28 Vdc	ohms	2.0*	2.0*	2.0*
Operate Time	ms	20	20	20
Release Time	ms	15	15	15
Life, Mechanical	cycles	.5 million	.5 million	.5 million
Weight, Nominal	g (oz)	336 (12)	336 (12)	336 (12)
Vibration, Operating, Sine (55-500 Hz Peak)	G's	10	10	10
Shock, Operating, 1/2 Sine 11ms (Peak)	G's	20	20	20
Temperature Ambient Operating	°C	-50 to +85	-50 to +85	-50 to +85

COIL RATINGS			
Nominal, Volts dc	12	26.5	115
Pick-up, Volts dc, Max.	9	22	90
Drop-Out, Volts dc	0.5-5	1-10	5-50
Coil Resistance (Ohms ±10%)	18	75	1300

Ratings listed are for 25°C, sea level conditions

For more information, refer to  
**Relay User Instructions**



\*Contact resistance for gas-filled measured at 28 Vdc, 1 Amp

06/16/08

