

G12L - LATCHING

8 kV

Make & Break Load Switching
 RoHS Compliant, date code 0701 and later



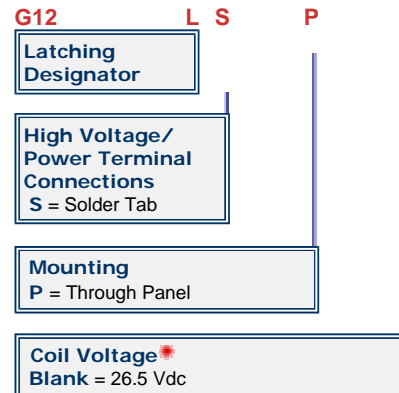
FEATURES
◆ Latching coils for low power consumption and to ensure relay will remain in last position, even when no voltage is applied to the coil
◆ Smallest ceramic DPDT high voltage relay, more robust than glass
◆ Vacuum dielectric and Tungsten contacts for power switching
◆ 8 kV rating
◆ Meets or exceeds MIL-R-83725
◆ User interchangeable coils provide for driver versatility

PRODUCT SPECIFICATIONS		
Contact & Relay Ratings	Units	G12L
Contact Form		2C
Contact Arrangement		DPDT
Voltage, Test Max., Contacts & to Base (15 µA Leakage Max., dc or 60Hz)	kV Peak	10
Voltage, Operating Max., Contacts & to Base (15 µA Leakage Max.)		
dc or 60 Hz	kV Peak	8
2.5 MHz	kV Peak	5
16 MHz	kV Peak	3
32 MHz	kV Peak	2
Current, Continuous Carry Max		
dc or 60 Hz	Amps	10
2.5 MHz	Amps	7
16 MHz	Amps	3
32 MHz	Amps	2
Coil Hi-Pot (V RMS, 60 Hz)	V	500
Capacitance		
Across Open Contacts	pF	0.8
Contacts to Ground	pF	1.5
Resistance, Contact Max @ 1A, 28Vdc	ohms	0.020
Operate Time	ms	15
Reset Time	ms	9
Life, Mechanical	cycles	1 million
Weight, Nominal	g (oz)	71 (2.5)
Vibration, Operating, Sine (10-2000 Hz Peak)	G's	10
Shock, Operating, 1/2 Sine11ms (Peak)	G's	30
Temperature Ambient Operating	°C	-55 to +125

COIL RATINGS	
Nominal, Volts dc	26.5
Pick-up, Volts dc, Max.	16
Reset, Volts dc	1-10
Coil Resistance (Ohms ±10%)	-

Ratings listed are for 25°C, sea level conditions.
 Coils are polarity sensitive.
 Observe polarity marked on coil terminals.

For more information, refer to
[Relay User Instructions](#)



* Order the relay with the part number as shown. The latching "L" designator and the coil voltage will not appear in the P/N on the relay but will be indicated on the label that is on the base of the relay. Observe coil polarity.